

MATERIAL

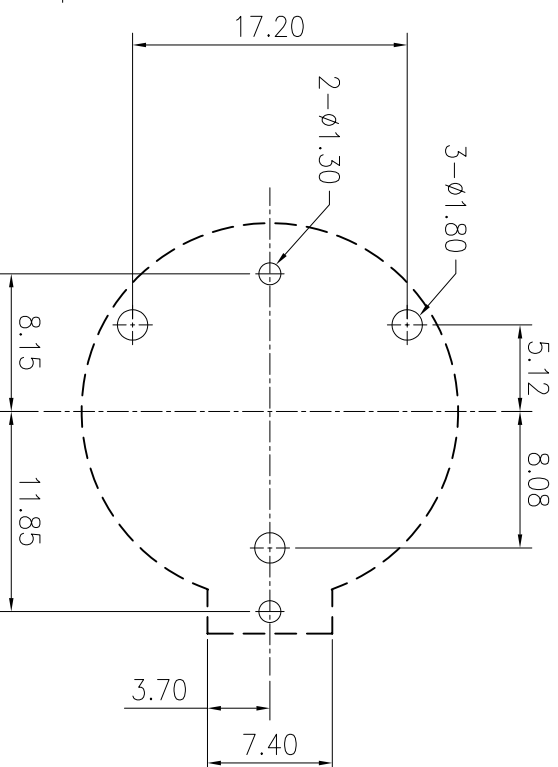
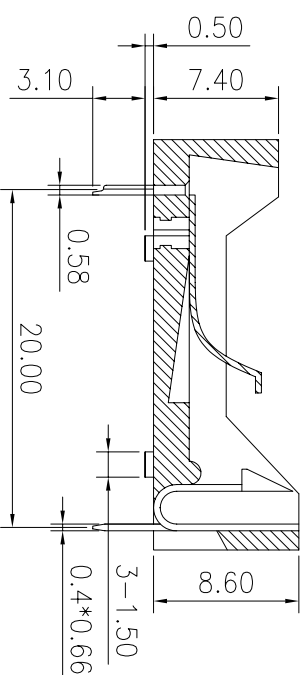
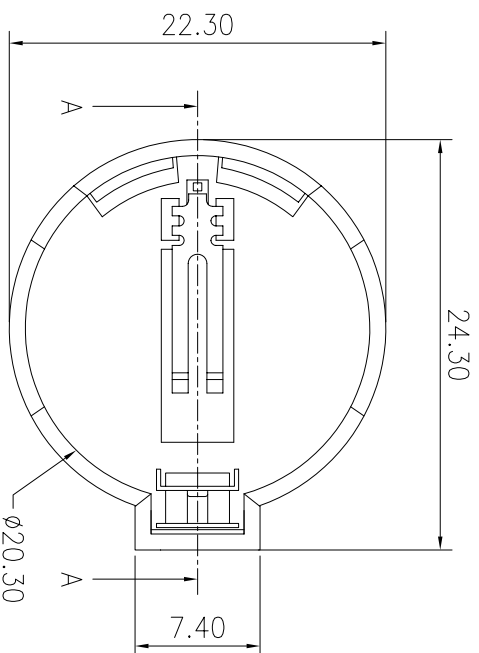
Contact material : (+)Brass ; (-)Phosphor Bronze
Insulator Material : Thermoplastic 30% Glass Fiber

FINISH

Contact : Tin Plated

SPECIFICATION

Current Rating: 3A
Insulation resistance: 1000 M Ω min.
Contact Resistance: 30m Ω MAX.
Operating Temperature: -55°C to 85°C



How to Order

BTX-07

Type No.

: Normal Part

G: RoHS Part

V: Lead free & RoHS

Base No.

RECOMMENDED PCB LAYOUT

LONG CHU ELECTRONICS CO. LTD
龍竹企業股份有限公司

DESCRIPTION:

BATTERY HOLDERS DIP

REV.	REV. RECORD	DATE	MATERIAL	UNIT	DESCRIPTION	SCALE	P/N	SHEET NO.
			SEE NOTE	mm		A4	BT-07 SERIES	
B	ADD HOW TO ORDER	12/07/05*	DR. NORETA	RE.	GENERAL TOLERANCE	SCALE	REV.	
A	NEW RELEASE (F00174)	01/05/05*	CHK.	APP.	0. = ±.50 0.° = ±.5° 0.0 = ±.30 0.0° = ±.1° 0.00 = ±.20	1/2	B	
REV.	REV. RECORD	DATE						